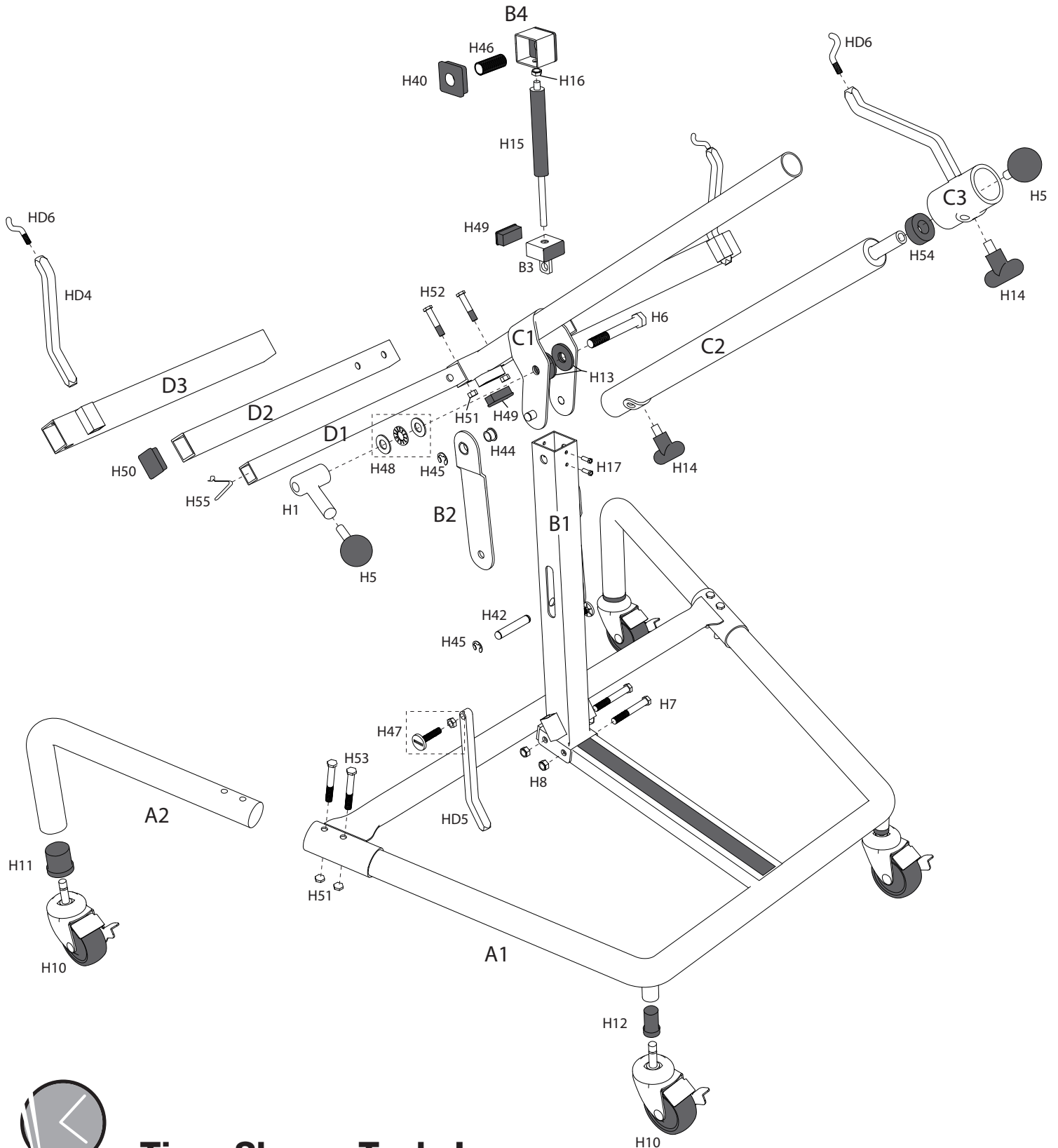


HT10 Panel Thing - Parts Guide



Time-Shaver Tools Inc.

Part #	Description	Qty. req.
H1	Clamping Knob	1
H5	Ball Handle	2
H6	Pivot Bolt 1/2 X 3-3/4	1
H7	Hex Bolt 3/8 X 2-3/4	2
H8	Nyloc Nut 3/8-16	2
H10	Caster w/ Brake	4
H11	Large Caster Socket	2
H12	Small Caster Socket	2
H13	Friction Washer 1/2 ID	2
H14	T-Handle 3/8-16 Stud	2
H15	Gas Spring	1
H16	Nyloc Nut M6-1.0	1
H17	Tex screw	4
H40	Pivot Bearing Carrier	2
H42	Long Clevis Pin	1

Part #	Description	Qty. req.
H44	Bronze bushing 7/16 ID	2
H45	E-Clip, Top and Bottom	4
H46	Pivot Bearing, Bronze	1
H47	Tailgate bolt w/ Lock Nut	2
H48	Thrust bearing w/ 2 washers	1
H49	Rectangle End Plug	3
H50	1-1/4 Square End Plug	2
H51	Nyloc Nut 5/16-18	6
H52	Hex Bolt 5/16 X 1-3/4	2
H53	Hex Bolt 5/16 X 2-1/4	4
H54	Round Plug	1
H55	Button	2
HD4	Parts Adapter Arm	2
HD5	Tailgate Adapter Arm	2
HD6	Hook	3